

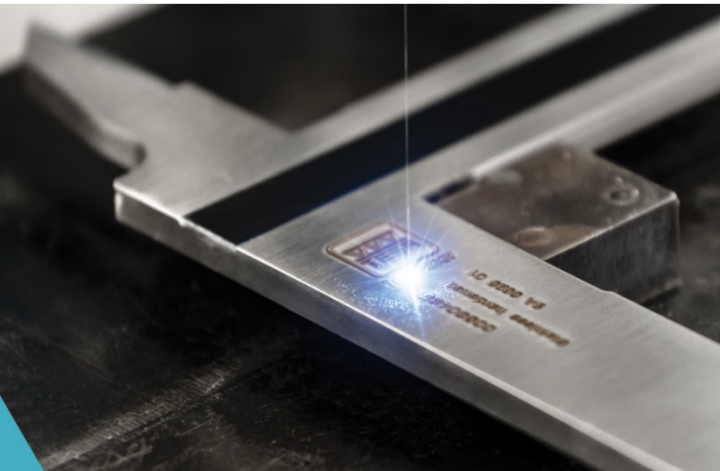
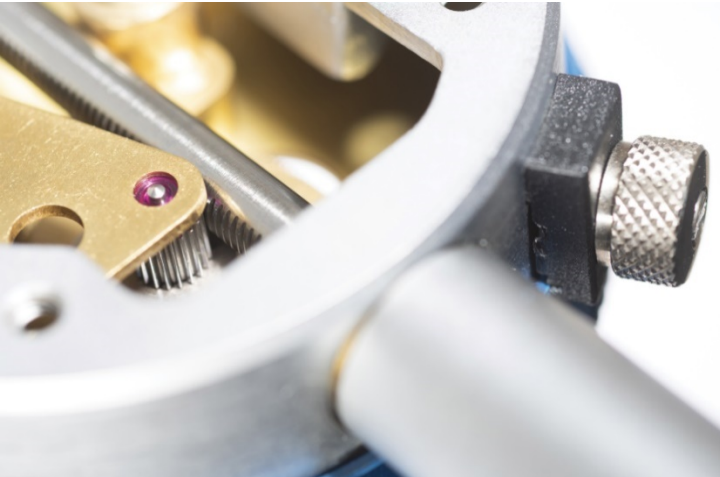


**HEXAGON**  
MANUFACTURING INTELLIGENCE



**TESA**  
TECHNOLOGY

# TESA QUICK DEALS 2019-1



**LAST OPPORTUNITIES**  
Discount up to 84% off the list price

Prices valid until stock lasts

Prices exclude VAT  
Version EN – EUR

[HexagonMI.com](http://HexagonMI.com) | [TESAtechnology.com](http://TESAtechnology.com)

Up to  
**-68%**

## UNIVERSAL VERNIER CALIPERS

- TESA self-locking, with parallax-free readout models
- With square depth rod
- DIN 862



00530130

Part Number	Description	Reading	List price EUR	Rebate	Promo price EUR
-------------	-------------	---------	----------------	--------	-----------------

### TESA Models

00530130	TESA 150 mm / 6" SQ	0,05 mm / 1 /128 in	75 €	- 52%	<b>36 €</b>
00530131	TESA 150 mm / 6" SQ	0,02 mm / 0.001 in	75 €	- 52%	<b>36 €</b>

- ETALON standard models
- With square depth rod
- DIN 862



00539103

Part Number	Description	Reading	List price EUR	Rebate	Promo price EUR
-------------	-------------	---------	----------------	--------	-----------------

### ETALON Models

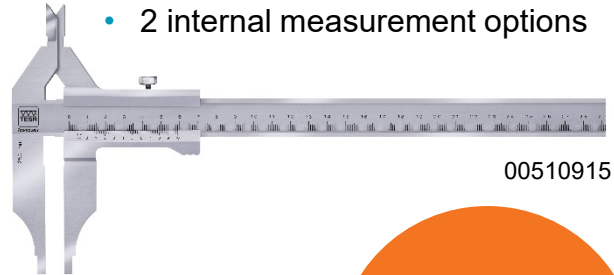
00539103	ETALON 150 mm / 6" SQ	0,05 mm / 1 /128 in	40 €	- 53%	<b>19 €</b>
00539104	ETALON 200 mm / 8" SQ	0,05 mm / 1/128 in	78 €	- 63%	<b>29 €</b>
00539105	ETALON 300 mm / 12"	0,05 mm / 1/128 in	184 €	- 68%	<b>59 €</b>
00539111	ETALON 200 mm / 8" SQ	0,02 mm / 0.001 in	78 €	- 50%	<b>39 €</b>
00539112	ETALON 300 mm / 12"	0,02 mm / 0.001 in	184 €	- 57%	<b>79 €</b>

# CALIPERS WITH SPECIAL DESIGN



- For hard-to-reach measurements

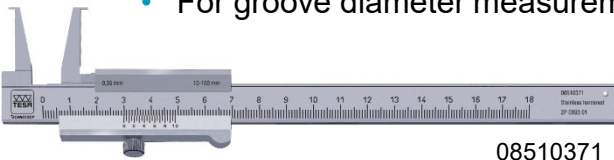
00510912



- 2 internal measurement options

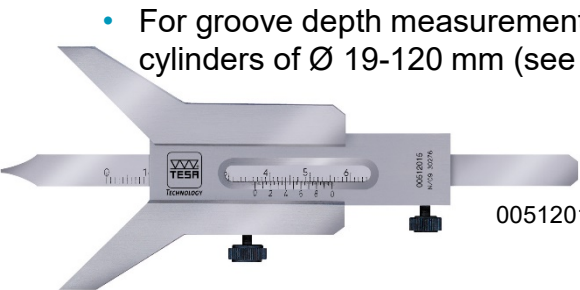
00510915

Up to  
**-53%**



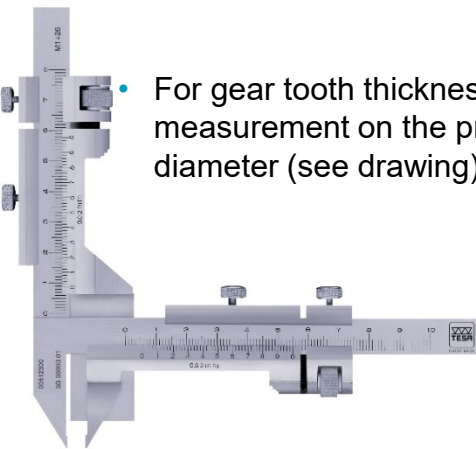
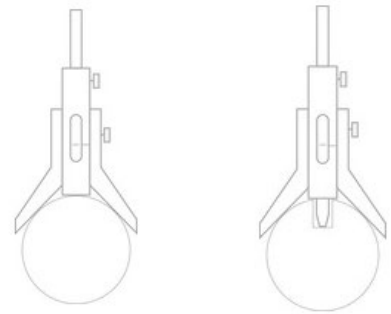
- For groove diameter measurement

08510371



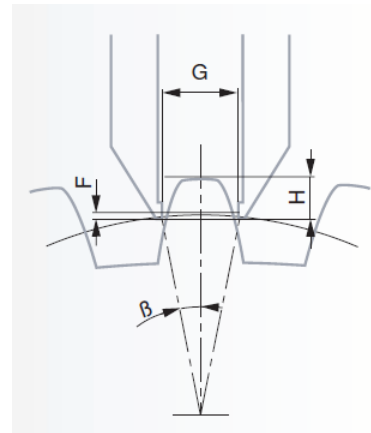
- For groove depth measurement on cylinders of  $\varnothing$  19-120 mm (see drawings)

00512016



- For gear tooth thickness measurement on the primary diameter (see drawing)

00512300



Part Number	Description	Measuring range	Reading	List price EUR	Rebate	Promo price EUR
00510912	With hook jaws for external dimensions	0 ÷ 250 mm	0,05 mm	494 €	- 48%	<b>259 €</b>
00510915	With knife-edge jaws for internal dimensions	0 ÷ 250 mm	0,02 mm	411 €	- 48%	<b>215 €</b>
08510371	Vernier models for internal grooves	9.5 ÷ 140 mm	0,05 mm	193 €	- 53%	<b>90 €</b>
00512016	Vernier models with vee bridge	0 ÷ 80 mm	0,05 mm	244 €	- 48%	<b>128 €</b>
00512300	For gear teeth	1 ÷ 26 mm	0,02 mm	664 €	- 48%	<b>348 €</b>

Up to  
**-64%**

## CALIPERS IN LIGHT ALLOY

- 0,01 mm reading
- With titanium nitride (TiN) coated measuring faces



00590052

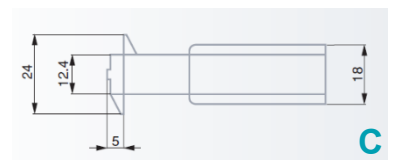
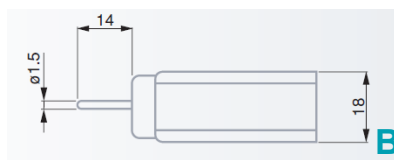
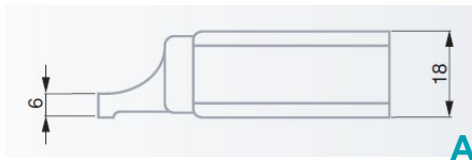
Part Number	Description	Measuring range	List price EUR	Rebate	Promo price EUR
00590052	INTERAPID	0 ÷ 150 mm	338 €	- 56%	<b>149 €</b>
00590053	INTERAPID	0 ÷ 200 mm	465 €	- 62%	<b>179 €</b>
00590054	INTERAPID	0 ÷ 300 mm	577 €	- 64%	<b>209 €</b>

## DEPTH CALIPERS IN LIGHT ALLOY

- 0,01 mm reading
- Optional removable bridge 180 mm (00560087)



00590058



Part Number	Description	Measuring face	Measuring range	List price EUR	Rebate	Promo price EUR
00590056	With steel tip	B	0 ÷ 200 mm	604 €	- 48%	<b>315 €</b>
00590057	With two fixed measuring jaws	C	0 ÷ 200 mm	750 €	- 54%	<b>345 €</b>
00590058	Small measuring face	A	0 ÷ 300 mm	568 €	- 44%	<b>320 €</b>
00590059	With steel tip	B	0 ÷ 300 mm	704 €	- 53%	<b>330 €</b>
00590060	With two fixed measuring jaws	C	0 ÷ 300 mm	871 €	- 59%	<b>360 €</b>

Up to  
**-80%**

## ETALON BASIC WITH 7 PAIRS OF EXCHANGEABLE INSERTS

- Non-rotating spindle 8mm
- Maximum permissible errors of the micrometer 4µm
- Each set incl. 7 pairs of measuring inserts
  - Flat: Ø 6,5 mm, Ø 2 mm, Ø 12 mm
  - Spherical: R = 5 mm
  - Narrow, flat: 0,7 mm
  - Cone-shaped: Ø 0,3 mm / 60°
  - Knife-edged: 0,3 mm / 60°



Part Number	Measuring range	Resolution	List price EUR	Rebate	Promo price EUR
<b>00219056</b>	0 ÷ 25 mm	0,01 mm	527 €	- 66%	<b>179 €</b>
<b>00219058</b>	25 ÷ 50 mm	0,01 mm	543 €	- 63%	<b>199 €</b>
<b>00219060</b>	50 ÷ 75 mm	0,01 mm	614 €	- 63%	<b>229 €</b>
<b>00219062</b>	75 ÷ 100 mm	0,01 mm	629 €	- 60%	<b>249 €</b>

## MICROMETER HEADS

- Without spindle lock – Non-rotating spindle



00219064

Part Number	Description	Measuring range	Resolution	List price EUR	Rebate	Promo price EUR
<b>00219064</b>	Micrometer head	0 ÷ 25 mm	0,01 mm	437 €	- 80%	<b>89 €</b>
<b>00219065</b>	Micrometer head	0 ÷ 25 mm	0,002 mm	454 €	- 78%	<b>99 €</b>

Up to  
**-57%**

## ETALON DIGITAL MICROMETERS IP54

- Combined scales and numeric display
- DIN 863-1



06039031

Part Number	Measuring range	Resolution	List price EUR	Rebate	Promo price EUR
<b>06039031</b>	25 ÷ 50 mm	0,001 mm	227 €	- 55%	<b>103 €</b>
<b>06039032</b>	50 ÷ 75 mm	0,001 mm	261 €	- 55%	<b>118 €</b>

## ELECTRONIC AND DIAL INDICATORS

- Robust dial gauge with great price/performance ratio
- Possible entry of limit values for classification through colour LEDs: green for “Good”, red for “Scrap”, amber for “Rework”.



01419151



01930104



Part Number	Measuring range	Reading/diameter	List price EUR	Rebate	Promo price EUR
<b>01419147</b>	5 mm	0,01 mm / 40 mm	68 €	- 50%	<b>34 €</b>
<b>01419151</b>	1 mm	0,001 mm / 58 mm	114 €	- 57%	<b>49 €</b>
<b>01930104</b>	12,5 mm	0,001 mm / 60 mm	635 €	- 40%	<b>379 €</b>

Up to  
**-84%**

## VERNIER SCRIBING GAUGE

- Parallax-free readout



07719013

Part Number	Measuring range	Reading	List price EUR	Rebate	Promo price EUR
<b>07719013</b>	0 ÷ 1000 mm	0,02 mm	2929 €	- 46%	<b>1580 €</b>

## TESA SPACER 200

- Compact and simple instrument for distance measurement
- Measuring range up to 200 m
- Shortcut keys for addition, subtraction, surface and volume calculations
- Built-in view finder, 2x magnification
- Integrated spirit level
- Illuminated display



01130020

Part Number	Laser range	Precision	List price EUR	Rebate	Promo price EUR
<b>01130020</b>	0,05 ÷ 200 m	± 2 mm	623 €	- 84%	<b>99 €</b>